

# LEVO C<sup>3</sup>

Another innovative design from LEVO – combining world renowned standing functions with a unique auto adjustable traction power base

LEVO C<sup>3</sup>



LEVO stands for a better quality of life

LEVO<sup>®</sup>.dt<sup>+</sup>  
THE EXPERTS IN STANDING

# At eye level with life

**This is LEVO:** The touch of a switch elevates you to a safe, comfortable standing position to interact with your active life. At work, in school or at home, LEVO standing wheelchairs, offer exactly what you need: Independence, Mobility, Support, Health and Quality.

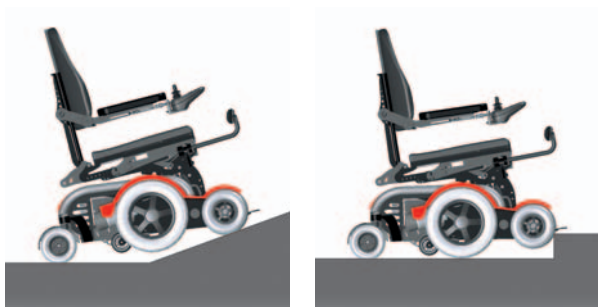
Each wheelchair is designed from the experience of more than 40 years of research, development and client response. Levo is proud to offer wheelchairs that combine seating and standing positions matched to your unique biomechanical dynamics with superior maneuverability, size, weight, aesthetics and adjustability. All models are reviewed and certified by internationally approved testing institutes.



# LEVO C<sup>3</sup>

## Active, traction, innovative – quality

The powered LEVO C<sup>3</sup> is compact, agile, easy to handle and extremely powerful – perfect for active people on the move. Are curbs part of your daily commute? With the LEVO C<sup>3</sup> drive system, that turns a maneuverable mid-wheel base into a powerful, climbing 4 wheel drive action base. For in the classroom at work or home, you also have the small turning radius and agile maneuverability of a mid-wheel base. The LEVO C<sup>3</sup> incorporates a new generation advancement in the famous LEVO low shearing standing systems. Incredibly smooth transition to standing including the automatic wheel base adjustment. Now you have a front wheel drive base for unparalleled driving stability and response in the standing position.



### Power base

- 4WD: four powered wheels for superior traction and agility
- Crawls over curbs up to 10 cm
- Climbs ramps easily up to max. 10°
- Off road/rough surface traction capability
- Multiple programming options for maximum choice
- Solid, secure and safe brake action

### Seating and Standing

- Automatic lengthening/matching the extension of the back and legs during transition to standing and seating. «Low shearing system»
- Engineered chairs and biomechanics in all seating and standing positions
- Low seat height for transfers and driving under tables
- Easy adjustment to individual body measurements
- Numerous health benefits due to more frequent standing

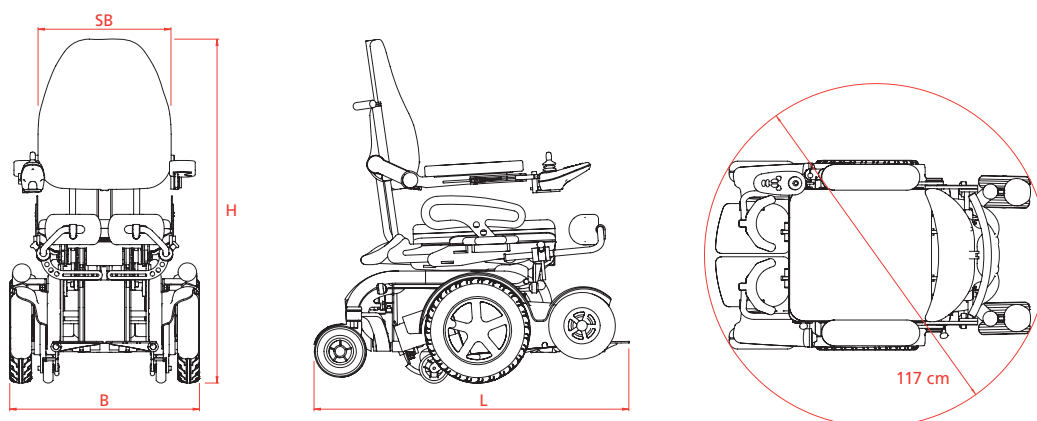
Power over curbs with the innovative LEVO C<sup>3</sup>



# LEVO Stands for a better quality of life

## Highlights

- User-friendly, simple handling
- Maximum safety in all positions
- Compact maneuverability for tight spaces
- Small dimension, compact transport volume
- High battery capacity
- Individually and manually adjustable for upper and lower leg, foot position and back angle
- Seat width 32 up to 52 cm
- User weight up to 140 kg
- Easy accessibility for maintenance and service updates



## Technical Data

Model	S – XL
Seat width (SB)	32/36/40/44/48/52
Total width (B)	63
Total length (L)	110
Total height (incl. V-Trak 41 cm) (H)	100
Seat height (w/o seat cushion)	48 or 54
Seat plate depth	35 – 63
Arm rest height	15 – 36
Turning circle	117
Speed	6/8/10 km/h
Range (with 48 Ah Batteries)	25 km
Max. safe slope	10°
Curb climbing ability	10
Max. chair weight	185 kg
Max. user weight	140 kg
Transport volume max.	96 x 63 x 69

All measurements in cm and kg.  
Discrepancies in the measurements may arise due to wheelchair modifications.

## Standard configuration

E/E Wheelchair with 4 active wheels and «Low shearing system», seat support plate, quick release for seat depth, lower leg length and back angle, seat height 46 cm, V-Trak Axxis back, flip-up armrests (adjustable for height, angle and width), VR2 control system of PG-Drives Technology with 48 Ah batteries, flip-up footrest to the side and backwards with non slip surface, knee support removable (adjustable in height, depth, angle and width), vehicle tie-down locations

## Options / Accessories

Knee support integrated, Tilt in Space 0 – 35°, Swing away joystick, Foam cushion with cover, swing away table tray, upper leg support, chest role, Lights and indicators, ...many more on request

## Colors

4 standard colors (blue, red, yellow, black) and 190 other color options

Distributor:

Manufactured by:

LEVO AG  
Switzerland

Anglikerstrasse 20  
CH-5610 Wohlen

Tel. +41 (0)56 618 44 11  
Fax. +41 (0)56 618 44 10

office@levo.ch  
www.levo.ch

**LEVO**.dt<sup>+</sup>  
A Dane Technologies Company